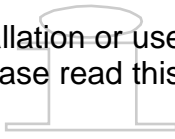


## MANUAL IH-64, FOR EXTERNAL MOTOR

Before installation or use of the product, please read this manual carefully.



**Important!**



### GENERAL SAFETY

Installation height: we recommend 50-70cm above stowe.

**(Minimum 65cm with gas stowe)**

Product must not be connected to flue exhausting smoke gas (for example fireplace)

If the product is connected to exhausting flue, local fire safety must be considered.

Adequate compensation air must be arranged if the product and for example fireplace are used simultaneously. Negative pressure might direct smoke gases from fireplace back to the room.

This can be prevented by opening the window.

Class 1 electric product.

Product must be installed according to 3-pole overvoltage standards.

**Product must be able to be switched off from power network!**

Always unplug the product from power network before cleaning or maintenance.

### SAFETY

Avoid using easily flammable fluids near the product. Do not flame under the product!

Always use extreme caution when frying with grease. Grease used several times is very flammable.

Keep nearby something you can use to extinguish possible flames.

Do not use open grill under the product.

**THERE IS A DANGER OF FIRE IF THE PRODUCT IS NOT CLEANED  
ACCORDING TO THE MANUAL!**

### MAINTENANCE

Unnecessary maintenance costs can be avoided and long life of product can be assured if the given instructions will be followed.

**Cleaning the grease filter:** In maintenance of the product, it is very important to keep grease filter clean. Grease filter must be cleaned after 30 hours of use, but at least every 2 months.

Product is equipped with grease filter cleaning reminder.

**Removing the grease filter:** Press the locking and remove the grease filter.

Wash by hand or in dishwasher. In handwash, use brush and alkaline washing liquid.

When the grease filter is replaced, press the **R** button (few seconds) of the control panel to reset the timer. After 30 hours, cleaning reminder appears to display again.

Other functions of the control panel are mentioned in the last page section "CONTROL PANEL"

**Cleaning other surfaces:** Product must be kept clean. Grease spatters must be cleaned punctually.

Do not use abrasive or corrosive liquids. Use only liquids suitable for metal surfaces.

Always follow the instructions from the washing liquid package!

## AIR VENTING

Hood without own motor should be connected to exhaustion flue with external motor installed.  
Air and steam goes out from exhausting flue.

Control panel controls the function of external motor.

**In apartment buildings or similar central ventilating systems  
connecting to exhausting flue is forbidden!**

## INSTALLATION

Before installation:

- Switch/plug must be in available place
- Exhausting: reserve 150/125mm flue  
(not included in delivery of product)

Detach grease filter by pressing the locking **C**.

**Mounting:** Mark the central position of the hood to the roof. Use the enclosed drilling template.

**NOTE:** position of the bracket determines the final position of the *hood*.

Drill the holes according to template. Mount the bracket so hole **B** is on the **OPPOSITE side of control panel**. (mounting fittings supplied with the unit).

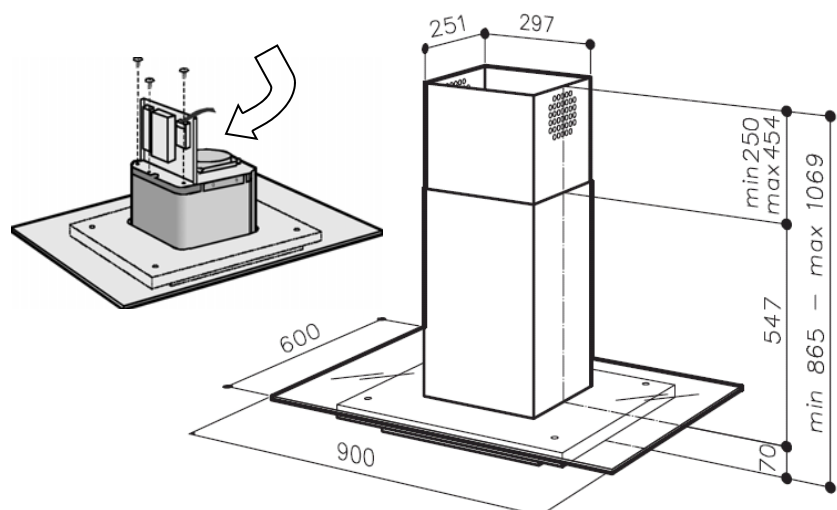
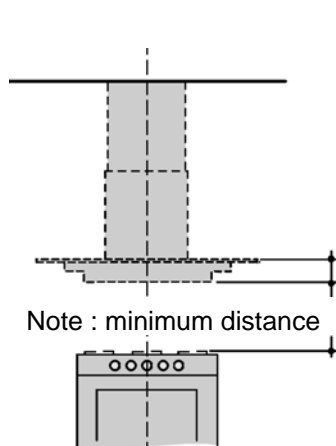
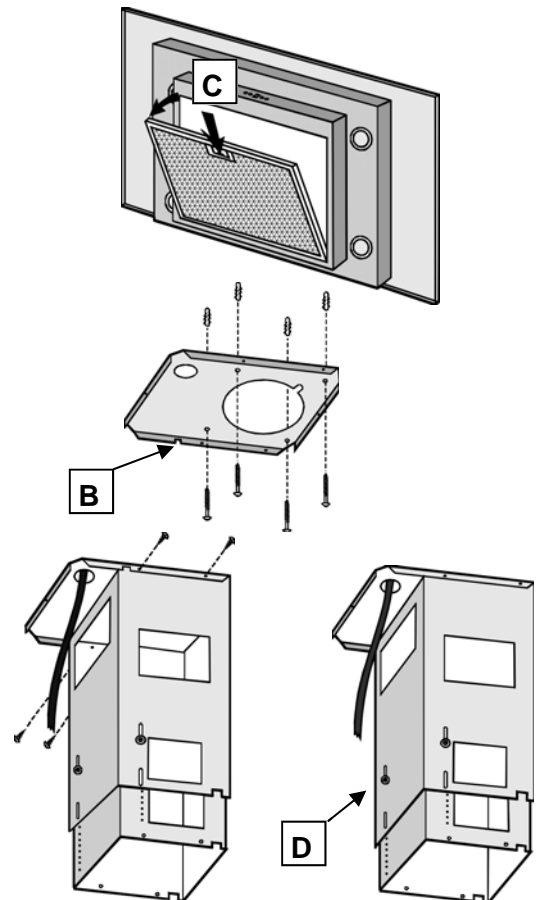
Mount the plate of the electrical system fixing it with 3 screws and 2 metal washers.

Run the power cable through a small hole in bracket.

Mount the telescopic structure to the bracket with 4 screws.

Adjust height and tighten screws **D**.

Make sure that installation is firm!



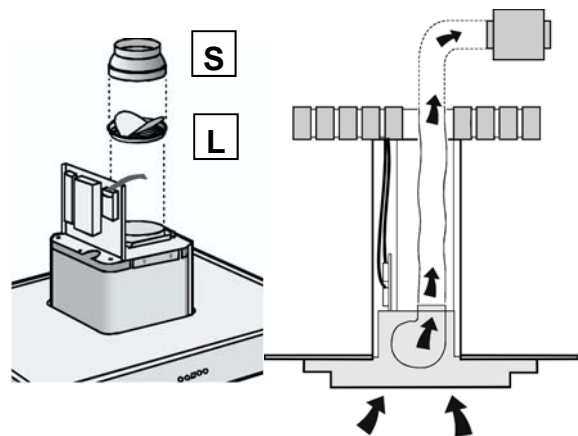
## EXHAUSTING (EXTERNAL MOTOR)

Use the non-return valve **L** at the beginning of exhausting flue. This prevents cold air flow to room when motor is not on.

Connect to 150mm flue in order to get the best performance out of the hood. Flue must be as straight and short as possible. (flue not included)

**Make sure that flue is properly isolated.**

If the flue is diam. 125mm, use the outlet reduction **S**. Flue diam. under 125mm is not recommended. (too big counter pressure might damage the motor)



## CONNECTING

Check that hood and external motor are compatible.

Manufacturer is not liable for misinstallations!

**Important !**

**Connecting to external motor:**

- Text on lid **B** "EXTERNAL MOTOR"
- Check the wire connections
- Yellow/green ( $\perp$ ) ground
- Blue (**N**) neutral
- Red (**L**) line

**Requires closed circuit installation !**

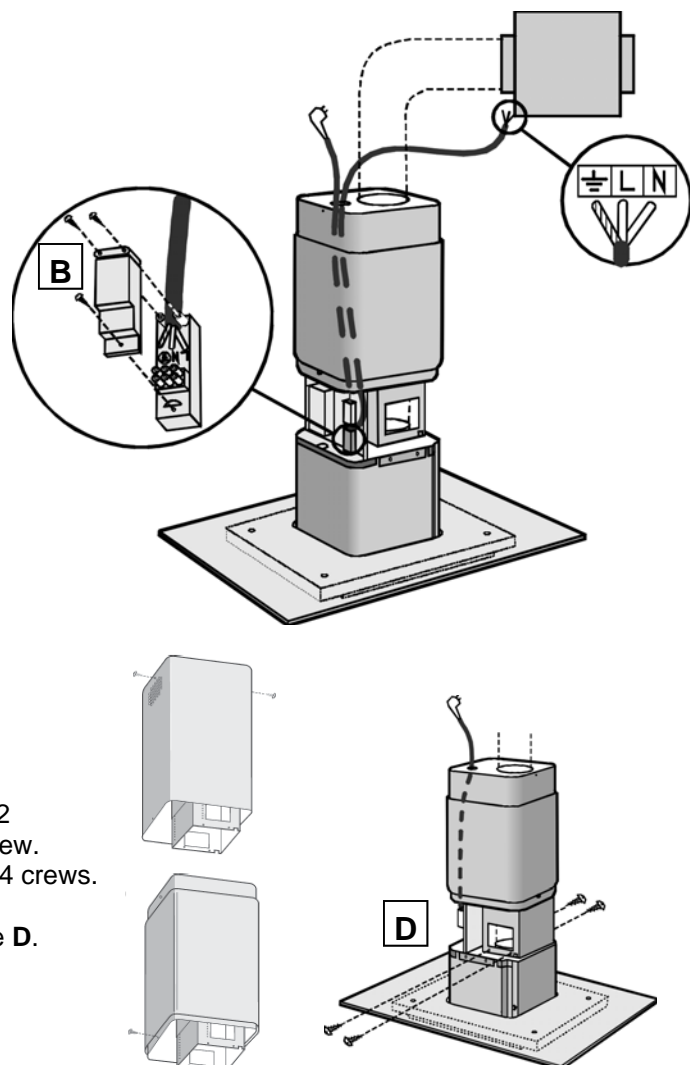
**Power input:**

- White 150cm pre-installed cable
- Check the wire connections
- Yellow/green ( $\perp$ ) ground
- Blue (**N**) neutral
- Brown (**L**) line 230V

Mount the upper cover duct to the bracket with 2 screws. Lift up lower duct and secure with a screw. Mount the hood to the telescopic structure with 4 crews.

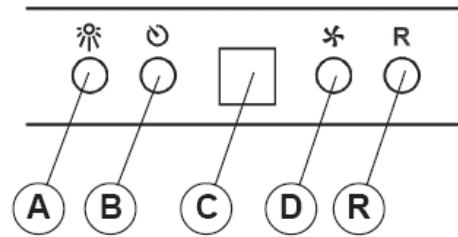
Mount the exhausting flue to the hood from hole **D**.

Let down the lower duct.  
Replace grease filter.  
Connect to power network.



## CONTROL PANEL

**Winter start function:**  
When turned on, motor works with speed 4 for a moment. Then the hood goes to the speed it was turned off at.



<b>Button A</b>	Light switch
<b>Button B</b>	Timer function on/off. By pressing the button, timer function activates and after 5 minutes motor turns off. Display <b>C</b> flashes the selected speed. Timer function remains on even if the speed is changed.
<b>Display C</b>	Displays selected motor speed. Displays the timer function (selected speed is flashing) Reminds of maintenance when central segment flashes.
<b>Button D</b>	Motor on (at the last selected speed) Pushing the button again, speed of the external motor is sequentially changing from 1 to 4.  Turn off the motor keeping this button pressed for 2 seconds.
<b>Button R</b>	Grease filter alarm reset. When central segment flashes in display <b>C</b> , grease filters must be cleaned. (30 hours)  Reset the hours after cleaning by keeping this button pressed for 2 seconds.

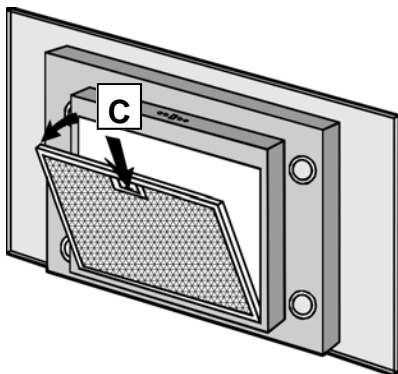
## MAINTENANCE

### Cleaning the grease filter: (30 hours / 2 months)

Press the locking **C** and remove the grease filter. Wash by hand or in dishwasher. Use the first page instructions.

### Changing the halogen bulb:

Open the cover gently pulling from the fissures. Make the replacement with similar bulbs (G4-20W). CAUTION: Do not handle glass bulb with bare hands.



Importer  
SAVO Design & Technic Oy