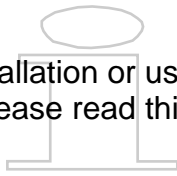


## MANUAL CH-63, FOR EXTERNAL MOTOR

Before installation or use of the product, please read this manual carefully.



**Important!**



### GENERAL SAFETY

Installation height: we recommend 50-60cm above stowe.

**(Minimum 65cm with gas stowe)**

Product must not be connected to flue exhausting smoke gas (for example fireplace)

Connecting to exhausting flue, local fire safety must be considered.

Adequate compensation air must be arranged if the product and for example fireplace are used simultaneously. Negative pressure might direct smoke gases from fireplace back to the room.

This can be prevented by opening the window.

Class 1 electric product.

Product must be installed according to 3-pole overvoltage standards.

**Product must be able to be switched off from power network!**

Always unplug the product from power network before cleaning or maintenance.

### SAFETY

Avoid using easily flammable fluids near the product. Do not flame under the product!

Always use extreme caution when frying with grease. Grease used several times is very flammable.

Keep nearby something you can use to extinguish possible flames.

Do not use open grill under the product.

**THERE IS A DANGER OF FIRE IF THE PRODUCT IS NOT CLEANED  
ACCORDING TO THE MANUAL!**

### MAINTENANCE

Unnecessary maintenance costs can be avoided and long life of product can be assured if the given instructions will be followed.

**Cleaning the grease filter:** In maintenance of the product, it is very important to keep grease filters clean. Grease filters must be cleaned after 30 hours of use, but at least every 2 months.

**Removing the grease filter:** Press the locking and remove the grease filter.  
Wash by hand or in dishwasher. In handwash, use brush and alkaline washing liquid.

**Cleaning other surfaces:** Product must be kept clean. Grease spatters must be cleaned punctually. Do not use abrasive or corrosive liquids. Use only liquids suitable for metal surfaces. Always follow the instructions from the washing liquid package!

## AIR VENTING

Hood without own motor should be connected to exhaustion flue with external motor installed.  
Air and steam goes out from exhausting flue.

Control panel controls the function of external motor.

**In apartment buildings or similar central ventilating systems  
connecting to exhausting flue is forbidden!**

## INSTALLATION

Before installation:

- Switch must be in available place
- Exhausting: reserve 150/125mm flue  
(not included in delivery of product)

Detach grease filters by pressing the locking **C**.

**Mounting:** Drill the holes (8mm) according to measurement picture.

Secure the metal bracket **B** to the wall by using plugs and screws (supplied with the unit).

Use the bracket's triangular cuts to position the hood vertically.

Mount the plate of the electrical system on the hood.

Place the hood on the bracket **B**.

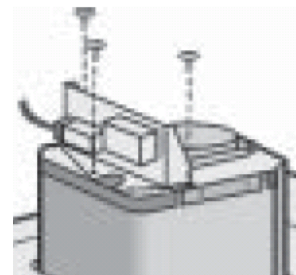
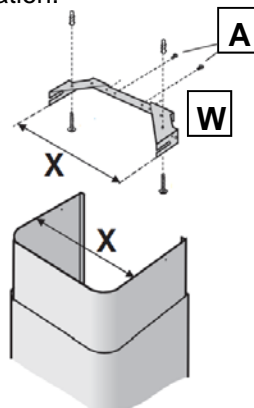
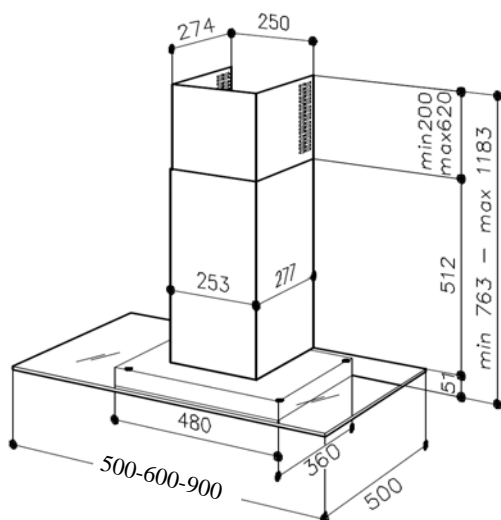
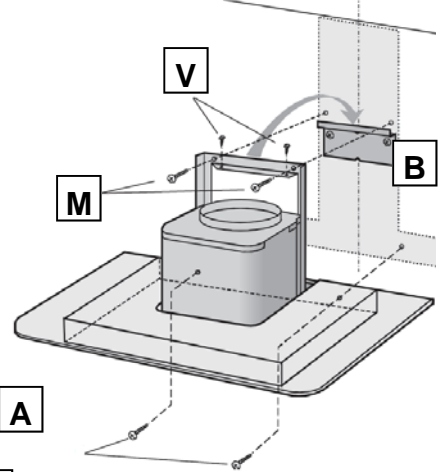
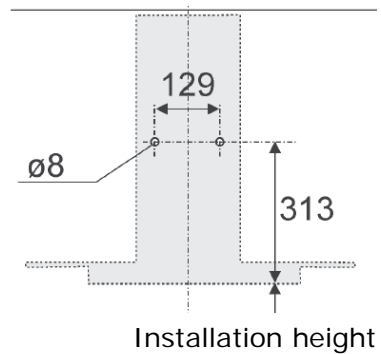
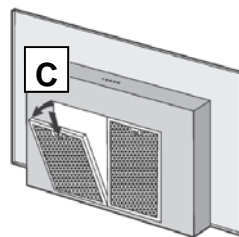
Adjust the horizontal position.

If the height requires adjustment, use the screws **V** (supplied with the unit).

Once regulation has been completed, finish securing the hood with screws **M**.

Mark the points for the holes on the wall, remove the hood and drill (8mm diameter) holes.

Use the plugs and screws to complete installation.



Adjust the width of the support bracket **W** using screws **A**. Fix the bracket to the ceiling or wall. Make sure that it is positioned along the axis with your hood.

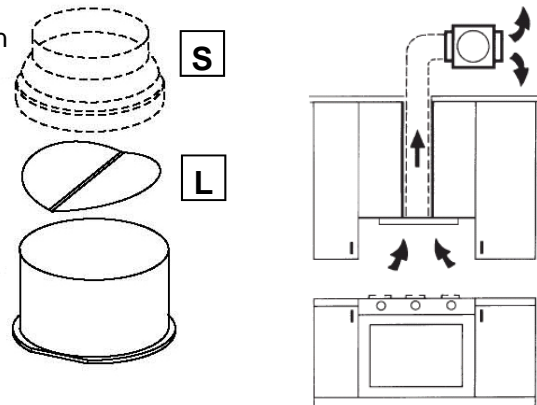
## EXHAUSTING (EXTERNAL MOTOR)

Use the non-return valve **L** at the beginning of exhausting flue. This prevents cold air flow to room when motor is not on.

Connect to 150mm flue in order to get the best performance out of the hood. Flue must be as straight and short as possible. (flue not included)

**Make sure that flue is properly isolated.**

If the flue is diam. 125mm, use the outlet reduction **S**. Flue diam. under 125mm is not recommended.



## CONNECTING

Check that hood and external motor are compatible.

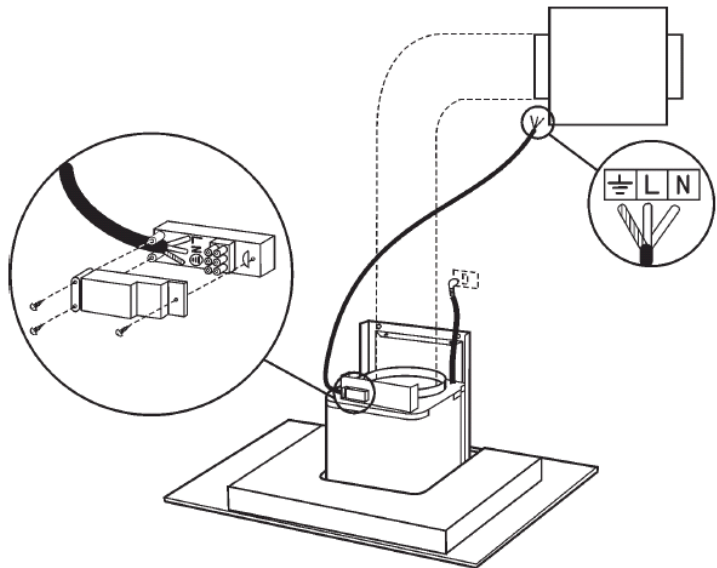
Manufacturer is not liable for misinstallations!

**Important !**

**Connecting to external motor:**

- Text on lid **B** "EXTERNAL MOTOR"
- Check the wire connections **C**
- Yellow/green ( $\perp$ ) ground
- Blue (**N**) neutral
- Red (**L**) line

**Requires closed circuit installation !**

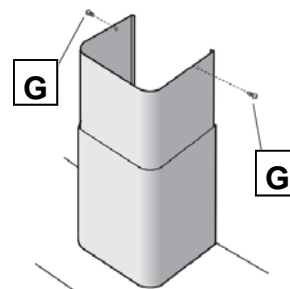


**Power input:**

- White 150cm pre-installed cable
- Check the wire connections
- Yellow/green ( $\perp$ ) ground
- Blue (**N**) neutral
- Brown (**L**) line 230V

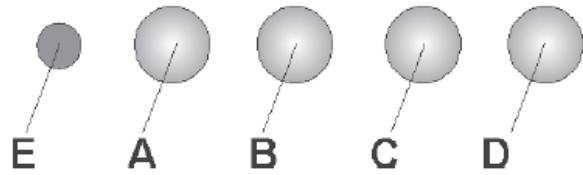
Insert the extension ducts setting them on the hood. Extend the upper duct to the ceiling and secure with the 2 screws **G** to the bracket **W**.

Replace grease filters.  
Connect to power network.



## CONTROL PANEL

**Winter start function:**  
When turned on, motor works with speed 4 for a moment. Then the hood goes to the speed it was turned off at.

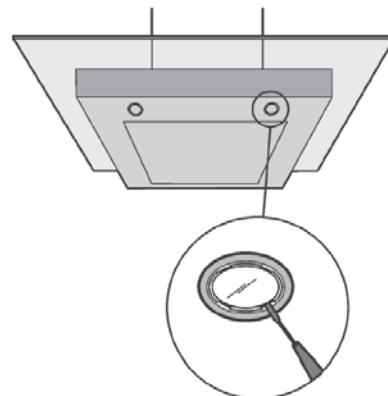
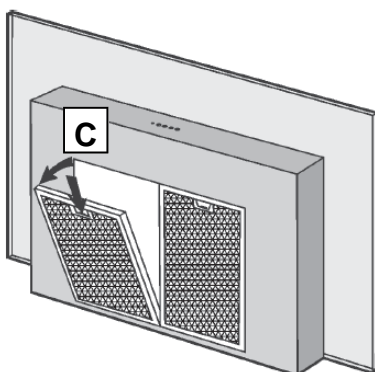


<b>Button A</b>	Lightswitch
<b>Button B</b>	Motor on / first speed. Press again to turn the motor off.
<b>Button C</b>	Selects the speed 2.
<b>Button D</b>	Selects the speed 2.
<b>Indicator E</b>	Light is on when power is connected.

## MAINTENANCE

**Cleaning the grease filter:** (30 hours / 2 months)  
Press the locking **C** and remove the grease filter. Wash by hand or in dishwasher. Use the first page instructions.

**Changing the halogen bulb:**  
Open the cover gently pulling from the fissures. Make the replacement with similar bulbs (G4-20W). CAUTION: Do not handle glass bulb with bare hands.



Importer  
SAVO Design & Technic Oy